



Flexible to use. A wide array of possibilities:

- Food, gourmet and beverage industry
- Chemical industry
- Petrochemicals
- Chemicals and mineral oils
- Machine shops and metal working
- Automotive industry and suppliers
- Electroplating and surface treatment
- Paint and varnish industry
- Pharmaceuticals and cosmetics
- Plant and apparatus construction
- Engineering and design



There are a lot of measuring devices for fluids.
But the advantages of the new Lutz flow meters stand out from them all.
Their precision, flexibility and user-friendliness will win you over.

Scan for
product video



Discover the pluses of innovative Lutz technology:

- + Touch screen display
- + Multilingual menus
- + Simple plain-text operation
- + Integrated help function
- + High precision through overrun correction
- + Safety and monitoring functions
- + Simple system connection
- + Plug & play modular design



Outstanding user-friendliness.

The first flow meter with a **touch screen display** and backlighting will convince you with its simple requirements-oriented display and usability, multilingual interface and compact design.

With **plain-text instructions, system reports and help texts**, as well as **monitoring functions**, its user controls practically eliminate errors. Manual operation is just as possible as external control.

■ **In Touch with the Future.**





Simply easy to use: Flow measurement with volume preselection.

The relay module – an intelligent cornerstone of Lutz meter innovation – helps you automate work processes and organize more efficiently.

The desired volume can simply be preselected and started with the touch of a button. Whether for mobile use with a drum pump or for controlling complex systems: With easy volume preselection, your processes will be simpler and safer. The pump, the system and/or the solenoid valve are turned on and off by the integrated electronics.

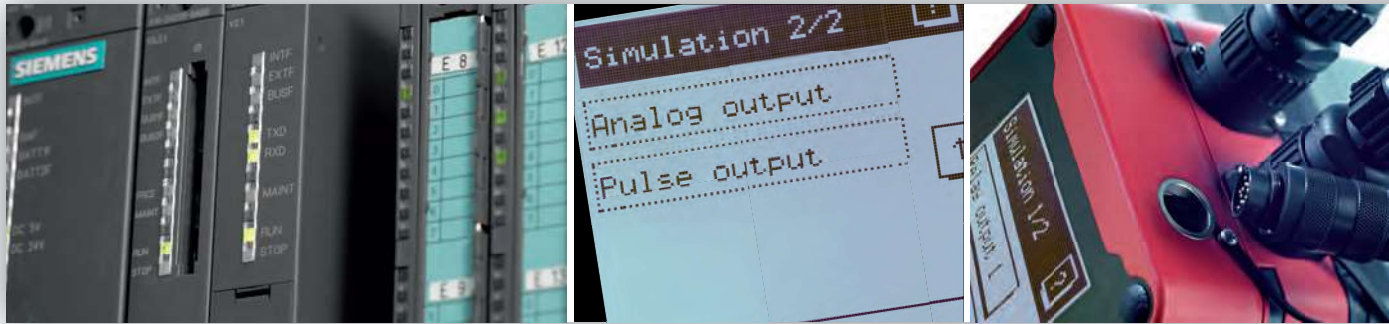
■ **Precise, safe and economical.**



Combine to your needs. Easy to assemble.

The Lutz flow meter can be connected to your system quickly and with no wiring work, using socket connections that can't be confused. The new connection system is assembled like a modular design, allowing individual modules, such as the basic meter, control unit and relay module, to be combined with each other and installed.





The flexible meter system you can rely on.

- Simple installation and start-up
- External controls and data evaluation through standard interfaces
- Modules can be installed separately by location
- Always the best technical and financial solution



Flow measurement with volume preselection - TS

for non inflammable liquids



Flow meters type VA10 in PURE-version are optionally available for the food-, cosmetics and pharmaceutical industry.

Technical data	Type ST10 / RM10 230 V	Type SL10 / RM10 230 V	Type VA10 / RM10 230 V
Range of use	Neutral liquids like water, mineral oils.	Abrasive liquids like acids and alkalis.	Many acids, alkalis and other medias.
Flow volume l/min.	min. 10 – max. 100**	min. 10 – max. 100**	min. 10 – max. 100
Temperature °C	60	60	80
Viscosity mPas	2,000	2,000	5,000
Operating pressure bar	4	4	10
Accuracy	± 1% standard < 1% with adjustment to application conditions	± 1% standard < 1% with adjustment to application conditions	± 1%
Inlet port	G 2 outer thread to fit connector with union nut	G 2 outer thread to fit connector with union nut	G 1 1/4 outer thread
Outlet port	G 1 1/4 outer thread	G 1 1/4 outer thread	G 1 1/4 outer thread
LCD display	Touch-Screen 63x63 mm 128x128 pixels Display sub-total and total volume can be reset		
Menu language	DE, GB, ES, FR, IT, NL, PT, RU		
Materials:			
Housing	PPO	PPO	Stainless steel (1.4581/1.4571)*
Measuring chamber	PPO/PPS	PPO/PPS	Stainless steel (1.4581/1.4571) ETFE / PTFE
Seals	FPM	FPM	FEP
Magnet	BaFe / PA / Stainless steel 1.4401	PPS encapsulated	ETFE encapsulated
Protection class	IP 55	IP 55	IP 55
Weight kg	1.6	1.6	4.1
Relay module RM10			
Voltage V	220-240		
Frequency Hz	50-60		
Switching outputs	2 NO (potentially bound)		
Output 1 (pump)	8 A, cos > 0.7		
Output 2 (valve)	0.5 A		
Order No.	0231-001	0231-011	0231-041

* Special materials on request General information to the chemical resistance of the different flow meters you will find in our chemical resistance list.

** Short-time 120 l/min.

Flow measurement with volume preselection - TS

for highly inflammable liquids



Flow meters type VA10 in PURE-version are optionally available for the food-, cosmetics and pharmaceutical industry.



Technical data		Type LM10 / Ex-RM10mK	Type UN10 / Ex-RM10mK	Type VA10 / Ex-RM10mK
Range of use		Solvents and many other easily inflammable liquids, oils and neutral liquids.	Solvents and easily inflammable liquids, most of acids and alkalis.	Nearly all solvents and easily inflammable liquids. Many acids, alkalis and other liquids.
Flow volume	l/min.	min. 10 – max. 100**	min. 10 – max. 100**	min. 10 – max. 100
Temperature	°C	40	40	40
Viscosity	mPas	2,000	2,000	5,000
Operating pressure	bar	4	4	10
Accuracy		± 1% standard < 1% with adjustment to application conditions	± 1% standard < 1% with adjustment to application conditions	± 1%
Inlet port		G 2 outer thread to fit connector with union nut	G 2 outer thread to fit connector with union nut	G 1 1/4 outer thread
Outlet port		G 1 1/4 outer thread	G 1 1/4 outer thread	G 1 1/4 outer thread
LCD display		Touch-Screen 63x63 mm 128x128 pixels Display sub-total and total volume can be reset		
Menu language		DE, GB, ES, FR, IT, NL, PT, RU		
Materials:				
Housing		PPS	PPS	Stainless steel (1.4581/1.4571)*
Measuring chamber		LCP	LCP	Stainless steel (1.4581/1.4571) ETFE / PTFE
Seals		FEP	FEP	FEP
Magnet		BaFe / MS / Stainless steel 1.4401	PPS encapsulated	ETFE encapsulated
Type of protection:				
Operating unit		II 2 GEx IIB T4***	II 2 GEx IIB T4***	II 2 GEx IIB T4***
Basic flow meter		II 2 G T4	II 2 G T4	II 2 G T4
Protection class		IP 55	IP 55	IP 55
Weight	kg	4.3	4.3	6.7
Relay module Ex-RM10m				
Voltage	V	220-240		
Frequency	Hz	50-60		
Switching outputs		2 NO (potentially bound)		
Output 1 (pump)		5 A, cos > 0.7		
Output 2 (valve)		0.5 A		
Type of protection		II 2 GEx me [ib] IIC T4		
Order No.		on request		

* Special materials on request General information to the chemical resistance of the different flow meters you will find in our chemical resistance list.

** Short-time 120 l/min.

*** Protection class II 2 G Ex IIC T4 on request

Accessories Lutz Flow Meter Program

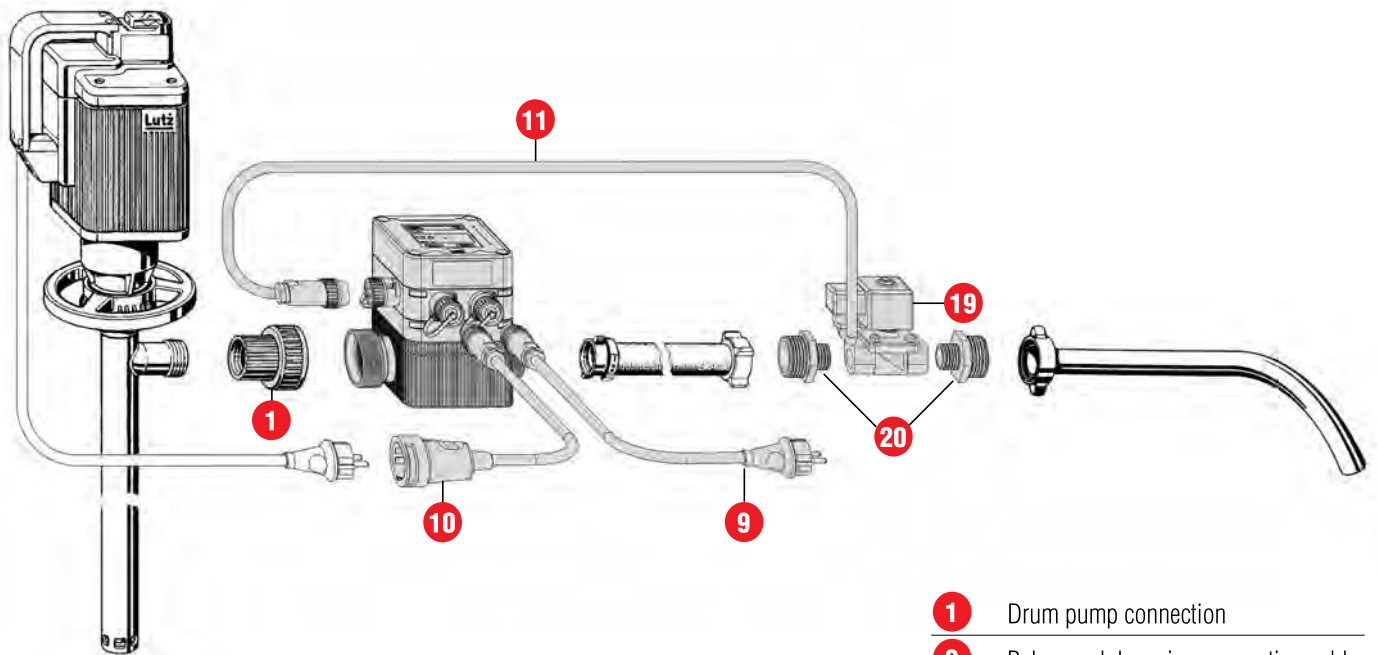
for mobile and stationary applications



Take control

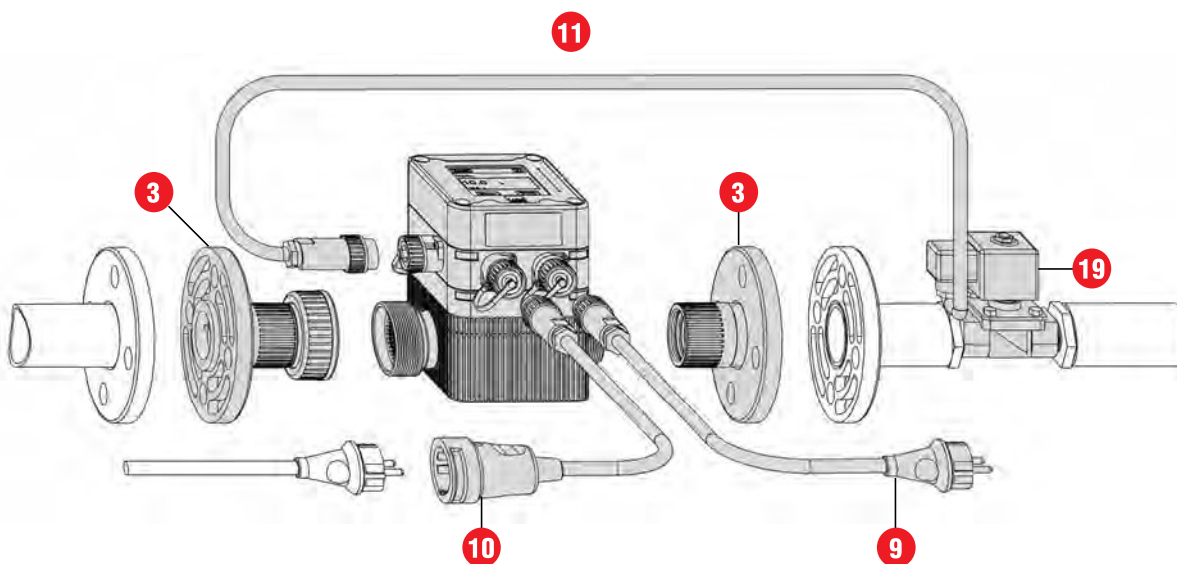
The comprehensive range of accessories makes it possible to install the flow meter onto a pump or into a pipe line. With appropriate connecting cables the system is immediately ready for use.

Flow measurement with volume preselection



... Thread version

- 1** Drum pump connection
- 9** Relay module mains connection cable
- 10** Motor/Slow connection cable, single
- 11** Main valve connection cable
- 19** Solenoid valve
- 20** Double nipple

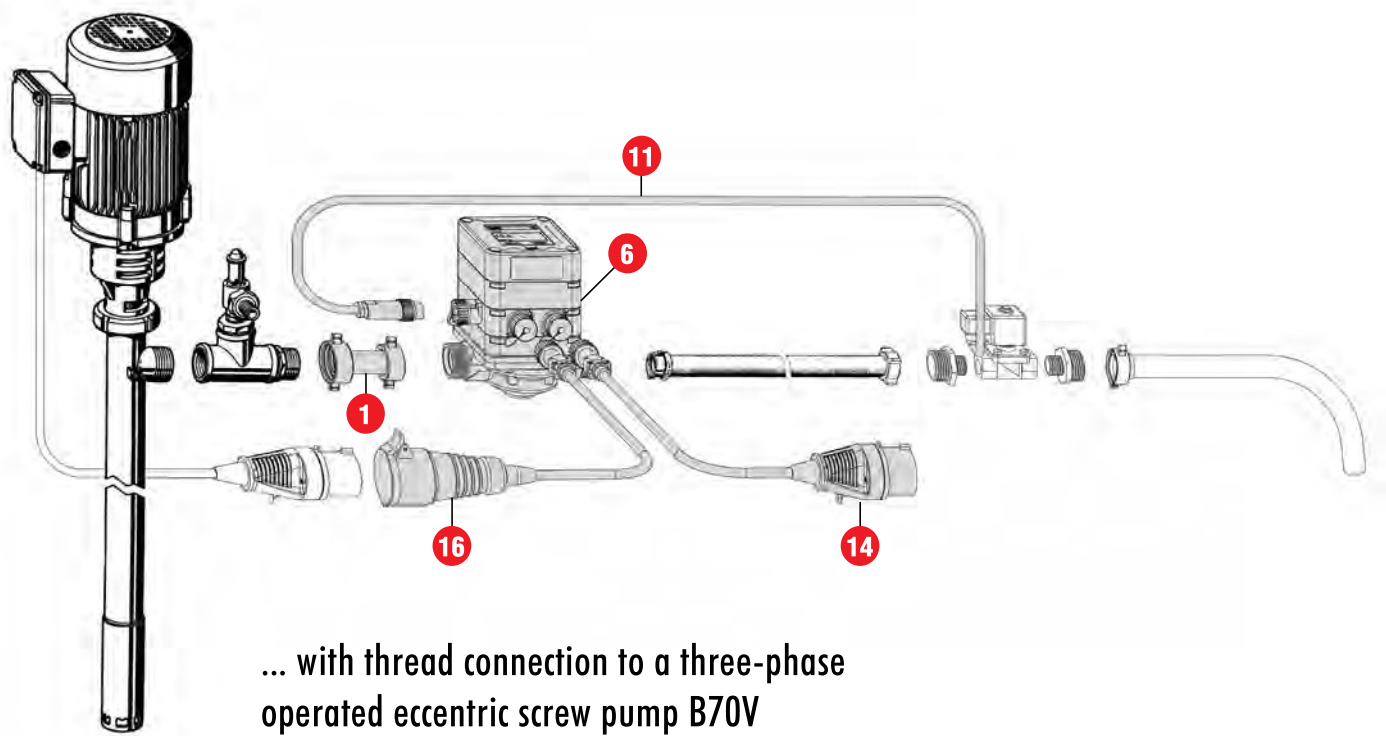


... Flange version

- 3** Flange connection
- 9** Relay module mains connection cable
- 10** Motor/Slow connection cable, single
- 11** Main valve connection cable
- 19** Solenoid valve

Accessories

Flow measurement with volume preselection ...

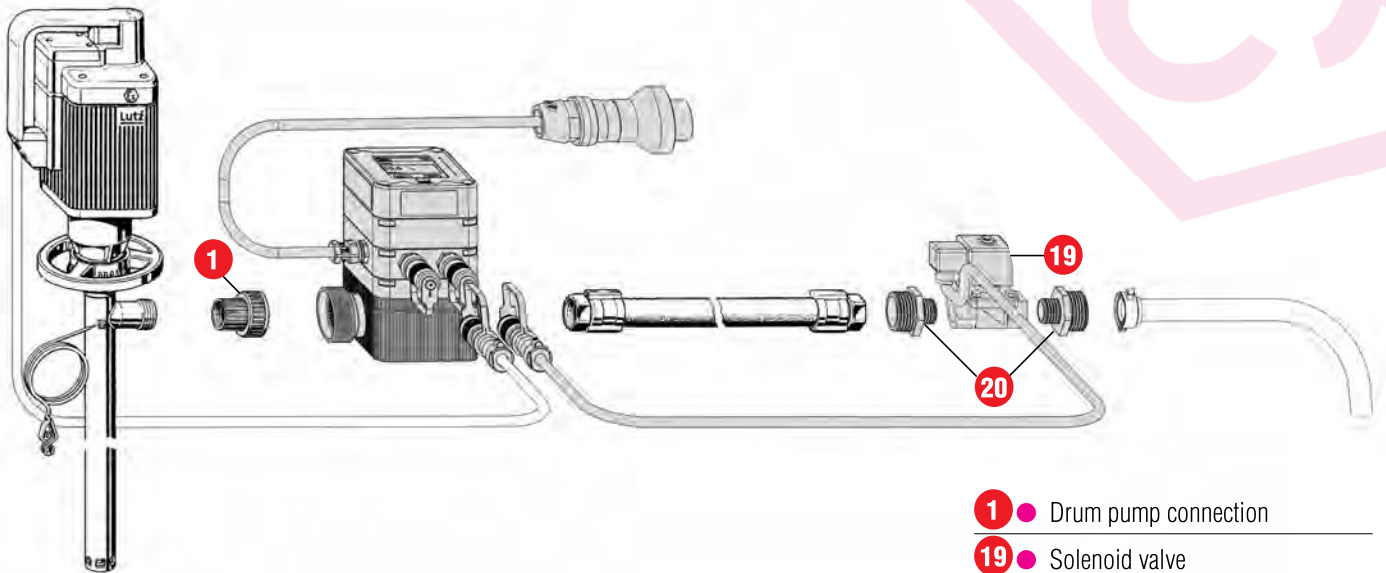


... with thread connection to a three-phase operated eccentric screw pump B70V

- 1** Drum pump connection
- 6** Relay module RM30
- 11** Main valve connection cable
- 14** Mains connection cable RM30 400 V
- 16** Connection cable motor RM30 400 V

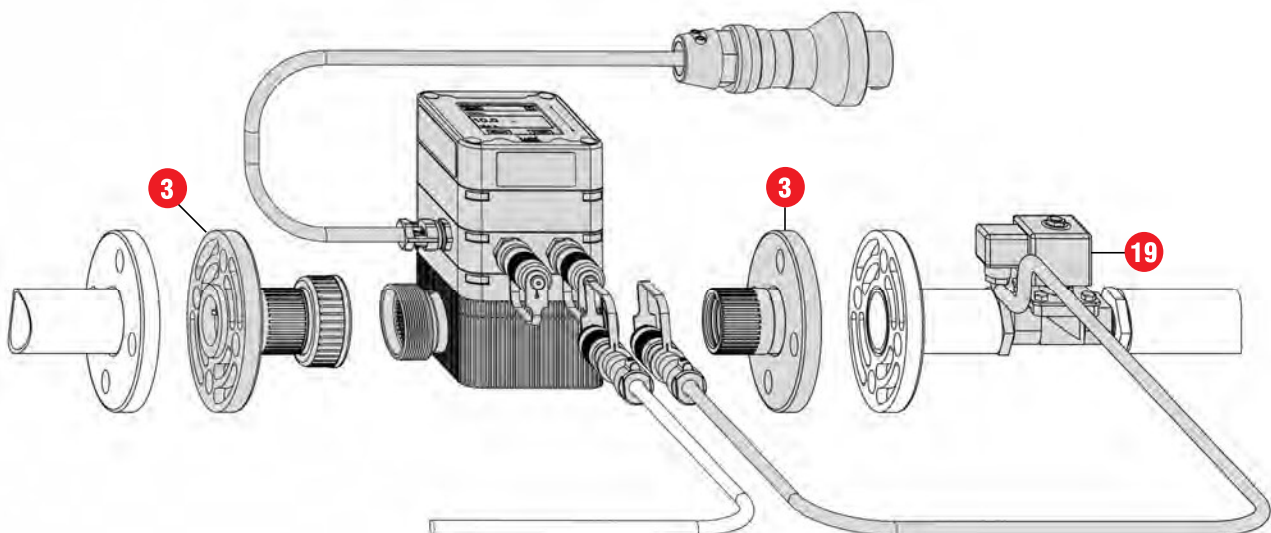
Accessories

Flow measurement with volume preselection ...



- 1 ● Drum pump connection
- 19 ● Solenoid valve
- 20 ● Double nipple

... with thread connection to a drum and container pump (Ex)



- 3 ● Flange connection
- 19 ● Solenoid valve

... with flange connection in plant construction (Ex)